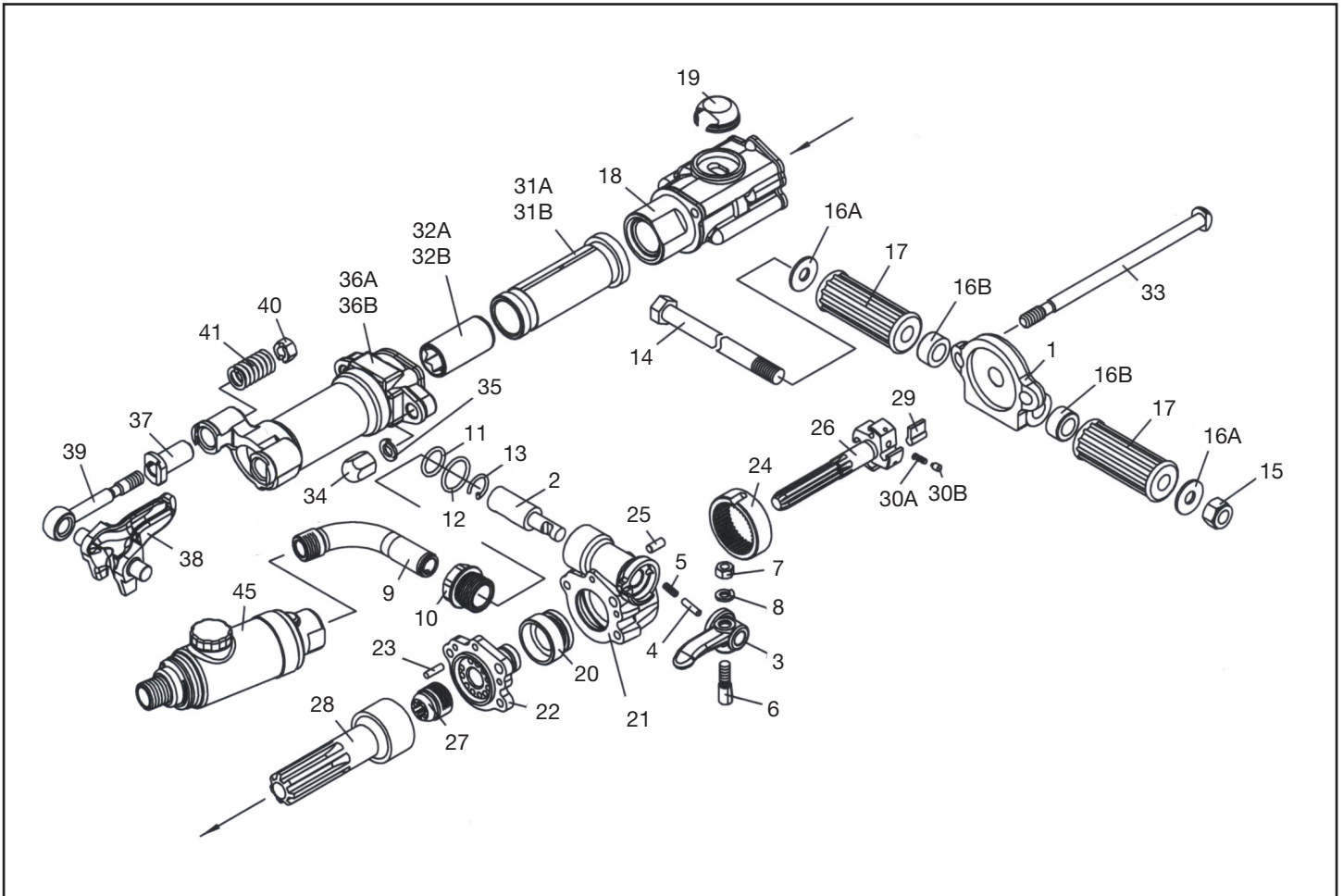




**MICHIGAN PNEUMATIC TOOL, INC.**

# MP-RD30-78314 Rock Drill



Index	Part No.	Description	Qty.
1	RD30-01	Back Head	1
2	RD30-02	Throttle Valve	1
3	RD30-03	Throttle Valve Handle	1
4	RD30-04	Throttle Valve Plunger	1
5	RD30-05	Throttle Valve Spring	1
6	RD30-06	TV Bolt-Coarse Thread	1
7	RD30-07	TV Nut (M10) - Coarse Thread	1
8	RD30-08	Throttle Valve Washer	1
9	RD30-09	Air Connection Tube	1
10	RD30-10	Air Connection Nut	1
11	RD30-11	Air Connection O-Ring	1
12	RD30-12	Air Connection O-Ring	1
13	RD30-13	Air Connection Clamp	1
14	RD30-14	Handle Bolt	1
15	RD30-15	Handle Bolt Nut	1
16A	RD30-16A	Handle Bolt Washer	2
16B	RD30-16B	Grip Handle Washer	2
17	RD30-17	Handle Grip	2
18	RD30-18	Cylinder	1
19	RD30-19	Exhaust Cap	1
20	RD30-20	Valve	1
21	RD30-21	Valve Chest	1
22	RD30-22	Valve Guide	1
23	RD30-23	Valve Knock	1

Index	Part No.	Description	Qty.
24	RD30-24	Ratchet	1
25	RD30-25	Ratchet Key	1
26	RD30-26	Rifle Bar	1
27	RD30-27	Rifle Nut	1
28	RD30-28	Piston	1
29	RD30-29	Rotation Pawl	4
30A	RD30-30A	Pawl Spring	4
30B	RD30-30B	Pawl Plunger	4
31A	RD30-31A	Rotation Sleeve-Short 7/8" x 3-1/4"	1
31B	RD30-31B	Rotation Sleeve-Long 7/8" x 4-1/4"	1
32A	RD30-32A	Sleeve Bushing-Short 7/8" x 3-1/4"	1
32B	RD30-32B	Sleeve Bushing-Long 7/8" x 4-1/4"	1
33	RD30-33	Through Bolt	2
34	RD30-34	Through Bolt Nut	2
35	RD30-35	Through Bolt Washer	2
36A	RD30-36A	Front Head-Short 7/8" x 3-1/4"	1
36B	RD30-36B	Front Head-Long 7/8" x 4-1/4"	1
37	RD30-37	Front Head Bushing	2
38	RD30-38	Steel Holder	1
39	RD30-39	Steel Holder Bolt	2
40	RD30-40	Steel Holder Nut	2
41	RD30-41	Steel Holder Spring	2
45	RD30-45P	Line Oiler	1