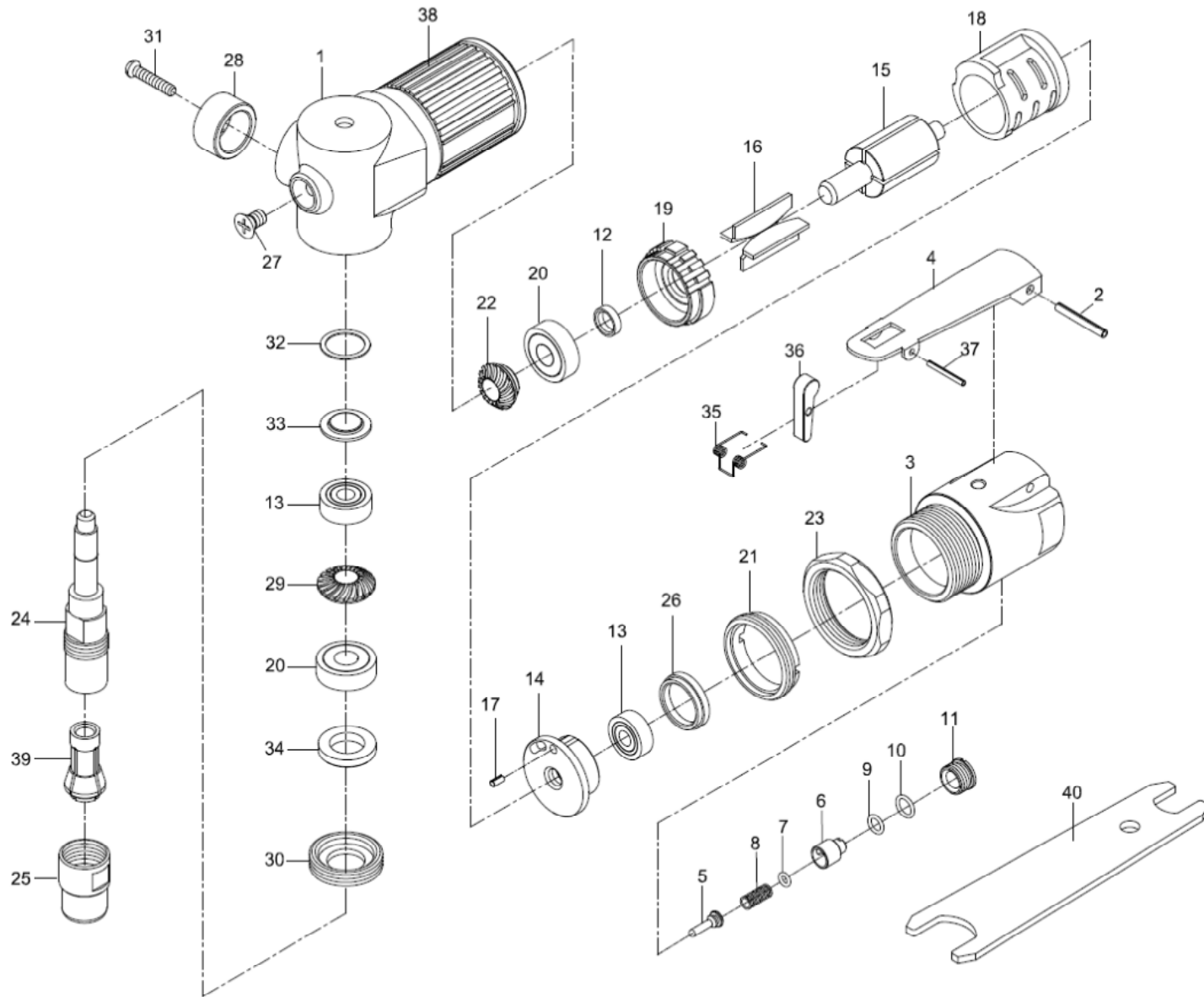




MICHIGAN PNEUMATIC TOOL, INC.

MP-SM-542 1/4" Angle Die Grinder



6850 Middlebelt Rd. • Romulus, MI 48174 • 1-800-521-8104 • Ph: (313) 933-5890 • Fax: (313) 933-0440

www.michiganpneumatic.com • e-mail: mpt@michiganpneumatic.com



MICHIGAN PNEUMATIC TOOL, INC.

MP-SM-542 1/4" Angle Die Grinder

Index	Part No.	Description	Qty.
1	54201	Housing	1
2	30102	Spring Pin (3x24L)	1
3	5J-542003	Valve Body	1
4	51704	Lever	1
5	5J-542005	Valve Stem	1
6	5J-542006	Adjust Valve	1
7	70107	O-Ring (4.8 x 1.9)	1
8	5J-542017	Spring	1
9	40134-12	O-Ring (7.8 x 1.9)	1
10	60307	O-Ring (9.8 x 2.4)	1
11	5J-542010	Throttle Valve Plug	1
12	61012	Spacer	1
13	054213	Ball Bearing (606zz)	2
14	54214	Rear End Plate	1
15	54215	Rotor	1
16	54216	Rotor Blade	4
17	70117	Spring Pin (2.5 x 5L)	1
18	54218	Cylinder	1
19	654219	Front End Plate	1
20	030120	Ball Bearing (608zz)	2

Index	Part No.	Description	Qty.
21	54221	Lock Nut	1
22	54222	Pinion Gear	1
23	54223	Lock Ring	1
24	54224	Spindle	1
25	52225	Collet Nut	1
26	54226	Cap	1
27	54227	Screw (M5 x 8L)	1
28	54229	Exhaust Cover	1
29	54230	Bevel Gear	1
30	54231	Retainer	1
31	54232	Screw (M4 x 18L)	1
32	54233	Packing	1
33	54234	Bearing Cover	1
34	54235	Seal	1
35	51541	Spring	1
36	51540	Lever Bar	1
37	51542	Spring Pin (2 x 18L)	1
38	54241	Rubber Grip	1
39	51224	Collet	1
40	52227	Spanner	2