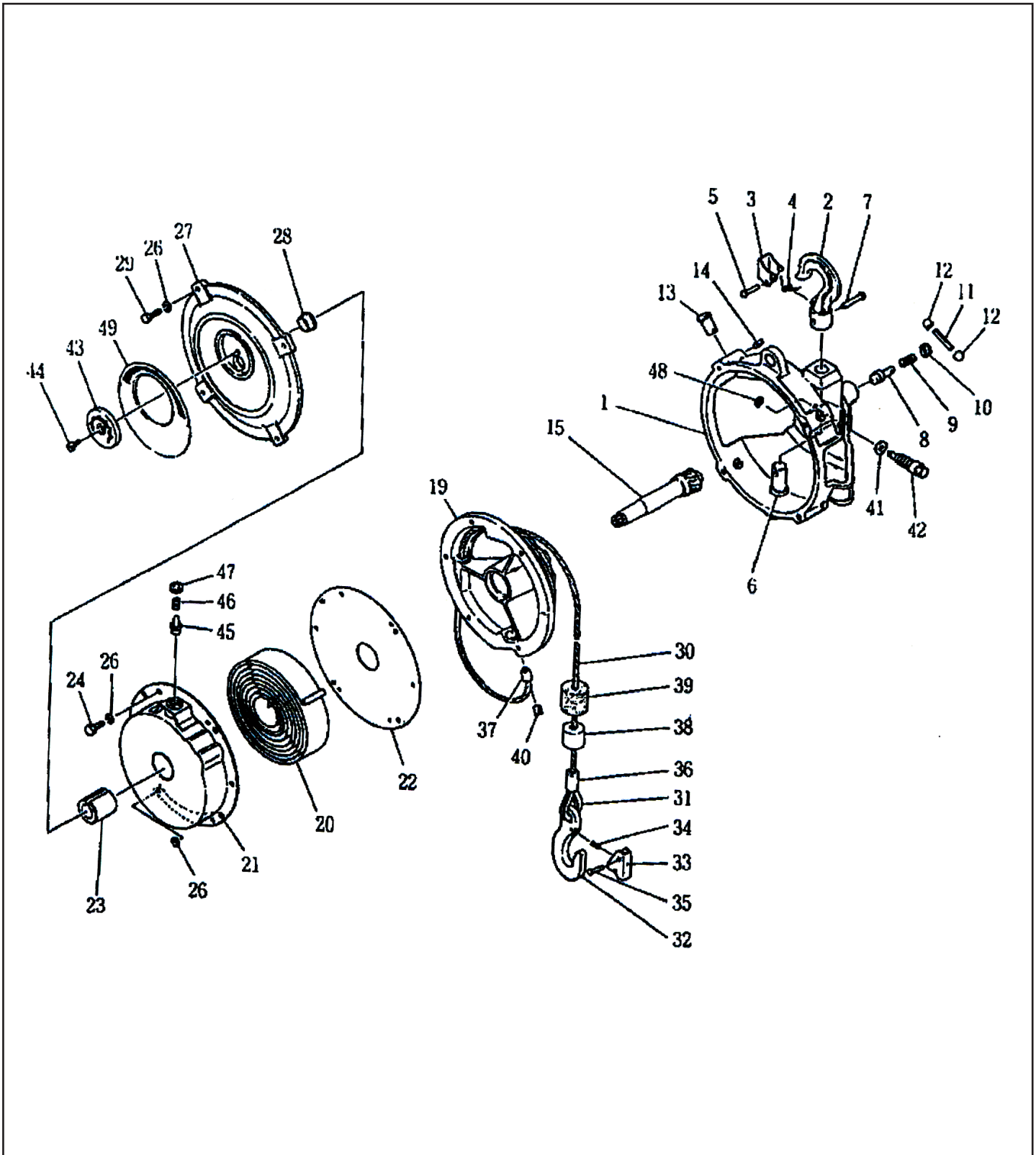




MICHIGAN PNEUMATIC TOOL, INC.

MP-SW-9 9.9-19.8lb Capacity Balancer

MP-SW-15 19.8-33lb Capacity Balancer



07272015Rev2HMB | NP



MICHIGAN PNEUMATIC TOOL, INC.

MP-SW-9 9.9-19.8lb Capacity Balancer

MP-SW-15 19.8-33lb Capacity Balancer

Index	Part No.	Description	Qty.
-	A3163001	Casing Assembly	1
1	3163001	Casing	1
-	A2112001	Hook Complete	1
2	2112001	Hook	1
3	-	Latch	1
4	-	Spring	1
5	-	Rivet	1
6	-	Shaft	1
7	-	Rivet	1
8	3521001	Pin Stopper	1
9	3559001	Spring	1
10	1099001	Screw	1
11	3582535	Spring Pin	1
12	3069001	Cap	2
13	3521011	Pin	3
14	1075008	Set Screw	3
15	2061002	Spindle	1
19	2113002	Drum	1
-	A3552004	Spring Assembly (SW-9)	1
-	A3552005	Spring Assembly (SW-15)	1
20	-	Spring (SW-9)	1
20	-	Spring (SW-15)	1
21	-	Spring Case	1
22	3172005	Cover	1
23	2011011	Bushing	1
24	1055010	Hex Head Bolt	4
26	1319050	Spring Washer	4

Index	Part No.	Description	Qty.
-	A3173001	Cover Complete	1
27	3173001	Cover	1
28	-	Bushing	1
29	1055020	Hex Head Bolt	1
-	A2168001	Wire Rope Assembly	1
30	-	Wire Rope	1
31	-	Timble	1
32	-	Hook (SW-15)	1
33	-	Latch	1
34	-	Spring	1
35	-	Rivet	1
36	-	Look Tube	1
37	-	Look Tube	1
38	2081013	Collar	1
39	3339002	Buffer	1
40	1071810	Plug	1
41	1302001	Washer	1
42	2101002	Worm	1
43	3575001	Gauge (SW-9)	1
43	3575002	Gauge (SW-15)	1
44	1099004	Screw	1
45	3521003	Safety Pin	1
46	3559001	Spring	1
47	1099001	Screw	1
48	1338053	Retaining Ring	1
49	9157005	Name Plate (SW-9)	1
50	9157006	Name Plate (SW-15)	1