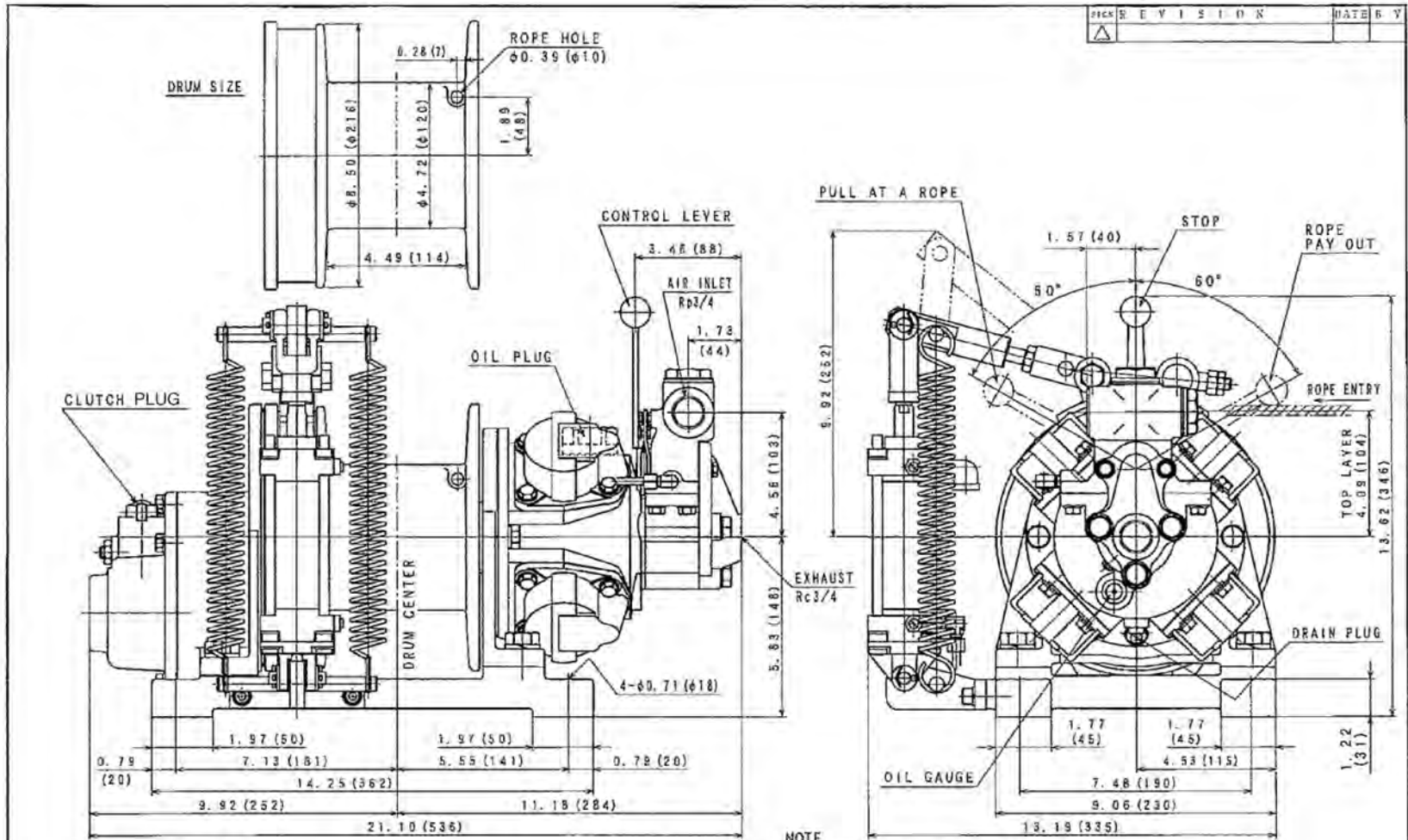




MICHIGAN PNEUMATIC TOOL, INC.

MP-W05AA3SAAB 1100 lb. Short Drum Winch w/ Auto Brake



SPECIFICATIONS (at HALF DRUM)

AIR PRESSURE psi (MPa)	MOTOR POWER hp (kW)	ROPE PULL lb (kg)	ROPE SPEED ft/min (m/min)	AIR CONSUMPTION cfm (l/min)	ROPE CAPACITY inches (mm)	WEIGHT lb (kg)
90 (0.62)	2.3 (1.73)	1100 (5)	62 (19)	71 (2.0)	5/16x145 (45)	ABOUT 106 (46)

NOTE
DIMENSIONS ARE INCHES, BRACKETS () METRIC mm

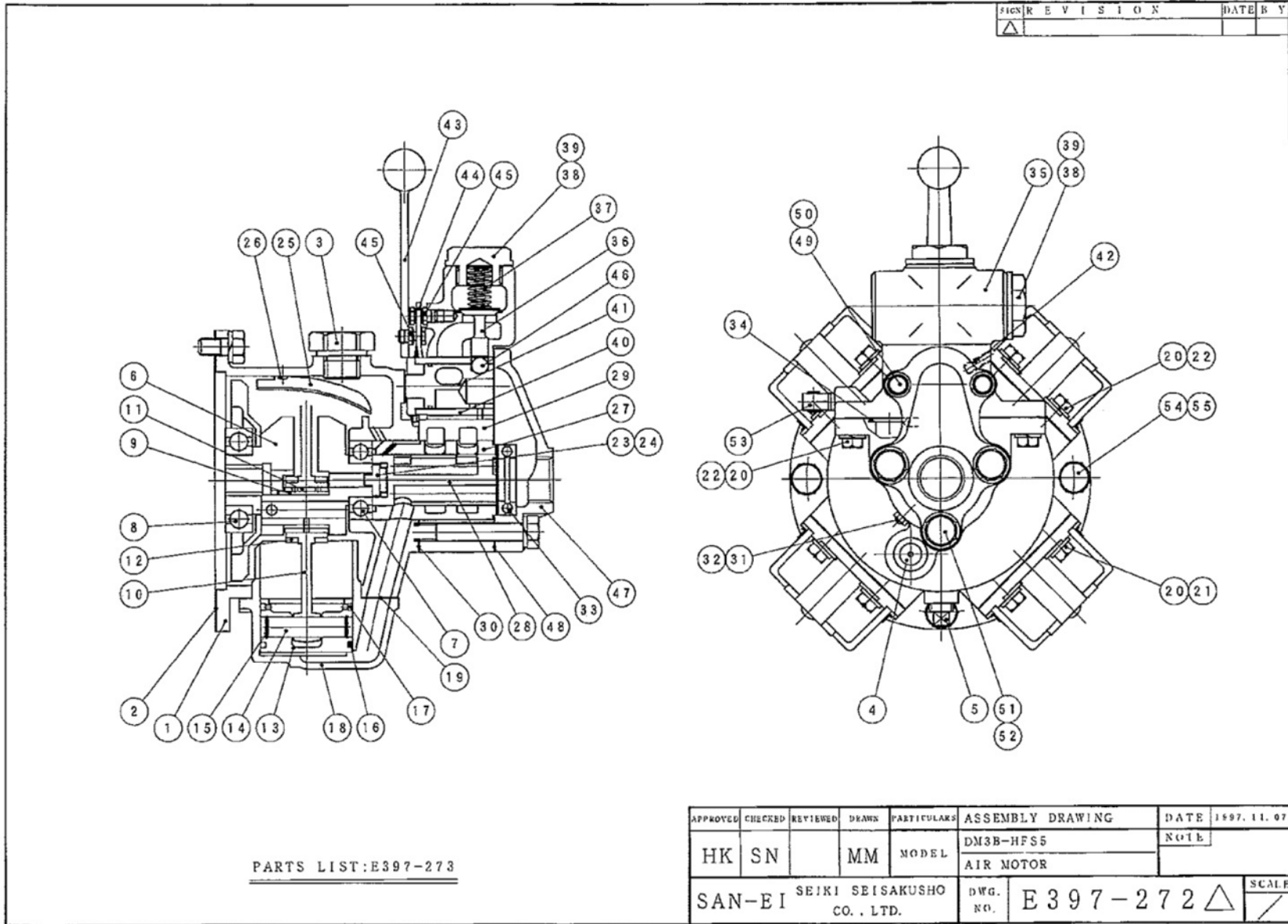
APPROVED	CHECKED	REVIEWED	DRANK	PARTICULARS	OUTLINE DRAWING	DATE	24 Apr. 2009
M. M		M. M		SOBEL	W-05AA-3-SA-AB	NOTE	
SAN-EI SEIKI SEISAKUSHO CO., LTD.					AIR WINCH		
					DWG. NO.	E 309-065	SCALE



MICHIGAN PNEUMATIC TOOL, INC.

MP-W05AA3SAAB

1100 lb. Short Drum Winch w/ Auto Brake





MICHIGAN PNEUMATIC TOOL, INC.

MP-W05AA3SAAB

1100 lb. Short Drum Winch w/ Auto Brake

REVISION									
DATE									
No.	PART NO.	PARTS NAME	Q'TY	REMARKS	No.	PART NO.	PARTS NAME	Q'TY	REMARKS
1	E397-2701	Crank Case	1		31	E397-27031	Hex. Socket Set Screw	1	M5x15
2	E397-2702	Crank Case Packing	1		32	E397-27032	Hex. Nut	1	M5-3
3	E397-2703	Oil Plug	1		33	E397-27033	Thrust Bearing	1	51105
4	E397-2704	Oil Gauge	1		34	OR-P20	O Ring	2	P20
5	PF2114	Plug	1	1/4B	35	E397-27035	Control Valve Body	1	
6	E397-2706	Crank Complete	1	Set	36	E397-27036	Poppet Valve	1	
7	B-6204	Ball Bearing	1	6204	37	E397-27037	Poppet Valve Spring	1	
8	B-6206ZZ	Ball Bearing	1	6206	38	E397-27038	3/4 Plug	2	
9	E397-2709	Shaft Sleeve	1		39	E397-27039	Plug Packing	2	
10	E397-27010	Connecting Rod	4		40	E397-27040	Control Valve Sleeve	1	
11	E397-27011	Rod Bearing	1		41	E397-27041	Control Valve	1	
12	E397-27012	Rod Ring	2		42	E397-27042	Hex. Socket Set Screw	1	M6x10
13	E397-27013	Piston	4		43	E397-27043	Control Lever	1	
14	E397-27014	Piston Pin	4		44	E397-27044	Lever Spring	1	
15	E397-27015	Piston Circle Clip	4		45	E397-27045	Spring Support	2	
16	E397-27016	Piston Ring	4		46	SB-0300	Ball	1	3/8
17	E397-27017	Oil Ring	4		47	E397-27047	Valve Cover	1	
18	E397-27018	Cylinder	4		48	E397-27048	Valve Cover Packing	1	
19	E397-27019	Cylinder Packing	4		49	E397-27049	Hex. Bolt	2	M6x20
20	E397-27020	Hex. Bolt (Small Head)	20	M8x20	50	SW2-6	Spring Washer	2	6
21	E397-27021	Cylinder Bolt Washer	8		51	E397-27051	Hex. Bolt	3	M10x80
22	E397-27022	Spring Washer	12	8	52	SW2-10	Spring Washer	3	10
23	E397-27023	Valve Coupling	1		53	E397-27253	Copper Tube Joint	1	B-6-PT1/8
24	SNP-316	Spring Pin	1	43x16	54	E397-27054	Hex. Bolt	4	M10x20
25	E397-27025	Oil Guide	1		55	SW2-10	Spring Washer	4	10
26	E397-27026	Cross Recessed Head Screw	2	M3x8					
27	E397-27027	Valve Sleeve	1						
28	E397-27028	Rotary Valve	1						
29	E397-27029	Valve Body	1						
30	E397-27030	Valve Body Packing	1						

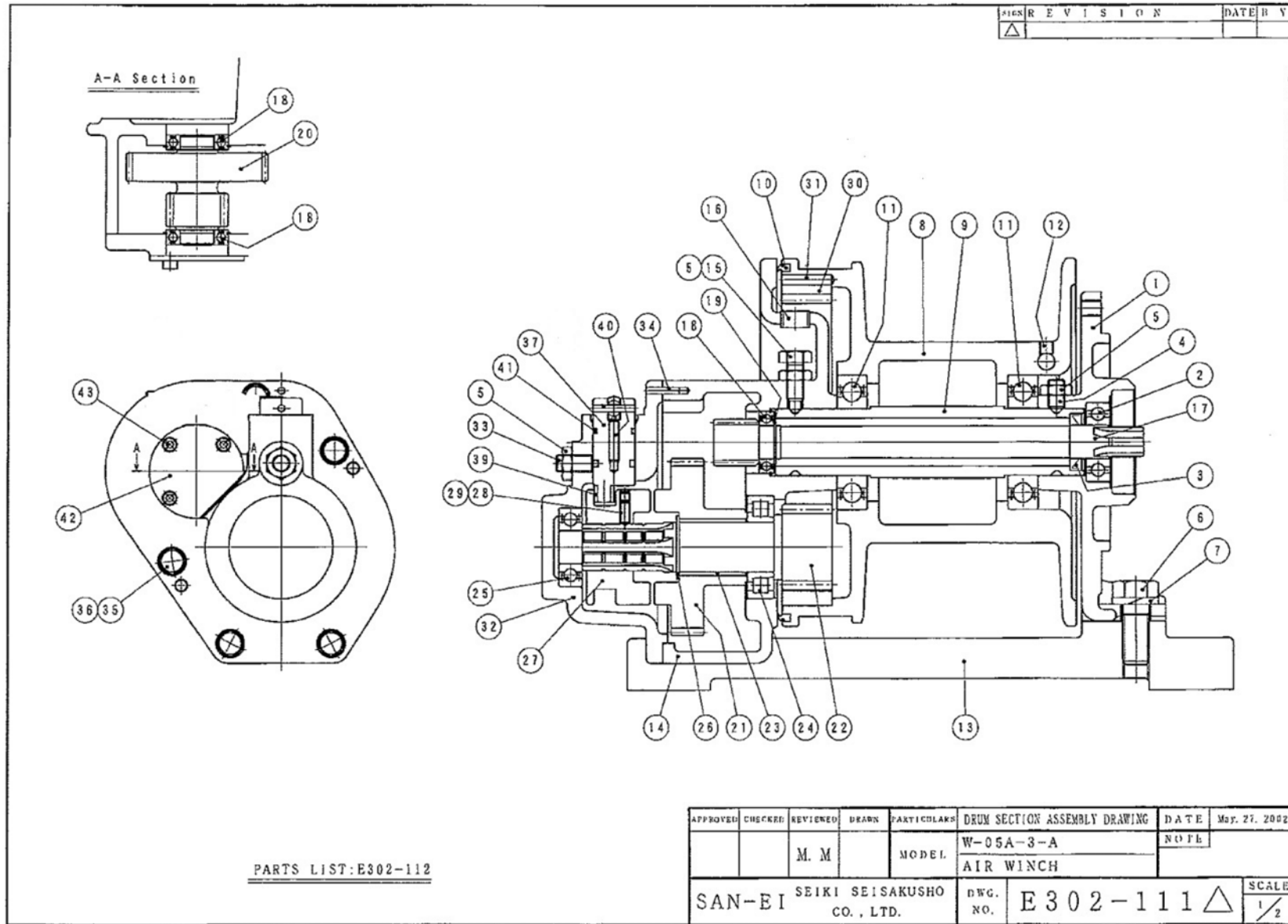
ASSEMBLY DRAWING: E397-272										
APPROVED	CHECKED	REVIEWED	DRAWN	PARTICULARS	PARTS LIST		DATE	1957. 11. 27		
H. K.	S. N.		M. M.	MODEL	DM3B-HFSS		NOTE			
					AIR MOTOR					
SAN-EI				SEIKI SEISAKUSHO	DWG. NO.	E 397-273	SCALE			
				CO., LTD.						



MICHIGAN PNEUMATIC TOOL, INC.

MP-W05AA3SAAB

1100 lb. Short Drum Winch w/ Auto Brake





MICHIGAN PNEUMATIC TOOL, INC.

MP-W05AA3SAAB

1100 lb. Short Drum Winch w/ Auto Brake

REVISION									
DATE BY									
No.	PART NO.	PARTS NAME	QTY	REMARKS	No.	PART NO.	PARTS NAME	QTY	REMARKS
1	E302-1111	Crank Case Cover	1		31	NP-630	Parallel Pin	2	φ6x30
2	B-66204ZZ	Ball Bearing	1	6204	32	E302-11132	Gear Case Cover	1	
3	E302-1113	Oil Seal	1	SC20347	33	E302-11133	Plunger	1	PSF-10
4	E302-1114	Hex. Socket Set Screw	1	M40x20	34	SNP-425	Spring Pin	2	φ4x25
5	N1-10	Hex. Nut	3	M10-3	35	E302-11135	Hex. Bolt	5	M8x25
6	E302-1116	Hex. Bolt	4	M16x40	36	E397-27022	Spring Washer	5	8
7	E302-1117	Spring Washer	4	16	37	E302-11137CEP	Clutch Plug	1	
8	E302-1118A	Drum Assembly	1					1	
9	E302-1119S	Drum Shaft	1		39	E302-11139	Inner Ring	1	1R8x12x10
10	E302-11110	Packing	1		40	E302-11140	Plunger	1	SP-6-2
11	B-6208ZZ	Ball Bearing	2	6208ZZ	41	OR-P21	O Ring	1	P21
12	E302-11112	Hex. Socket Set Screw	2	M8x10	42	E302-11142	Cover	1	
13	E302-11113S	Bed	1		43	CS-612	Hex. Socket Cap Screw	3	M5x12
14	E302-11114	Gear Case	1						
15	E302-11115	Drum Shaft Set Bolt	1						
16	PHP-T30	Hex. Socket Plug	1	3/8B					
17	E302-11117S	Pinion Shaft	1						
18	E302-11118	Ball Bearing	3	6904ZZNR					
19	SR-S20	Retaining Ring	1	S20					
20	E302-11120	First Gear	1						
21	E302-11121	Second Gear	1						
22	E302-11122	Third Pinion	1						
23	E302-11123	Gear Bushing	1	70B-3040					
24	E302-11124	Roller Bearing	1	N1206					
25	B-6204ZZ	Ball Bearing	1	6204ZZ					
26	SR-S30	Retaining Ring	1	S30					
27	E302-11127	Clutch	1						
28	E302-11128	Plunger	1	PBF-6-KS					
29	E302-11129	Hex. Socket Set Screw	1	M6x6					
30	E302-11130	Internal Gear	1						

APPROVER	CHECKED	REVIEWED	DRAWN	PARTICULARS	DRUM SECTION PARTS LIST	DATE	MAR. 27. 2007
		M. M		MODEL	W-05A-3-A	NOTE	
					AIR WINCH		
SAN-EI SEIKI SEISAKUSHO CO., LTD.				DWG. NO.	E302-112	SCALE	△

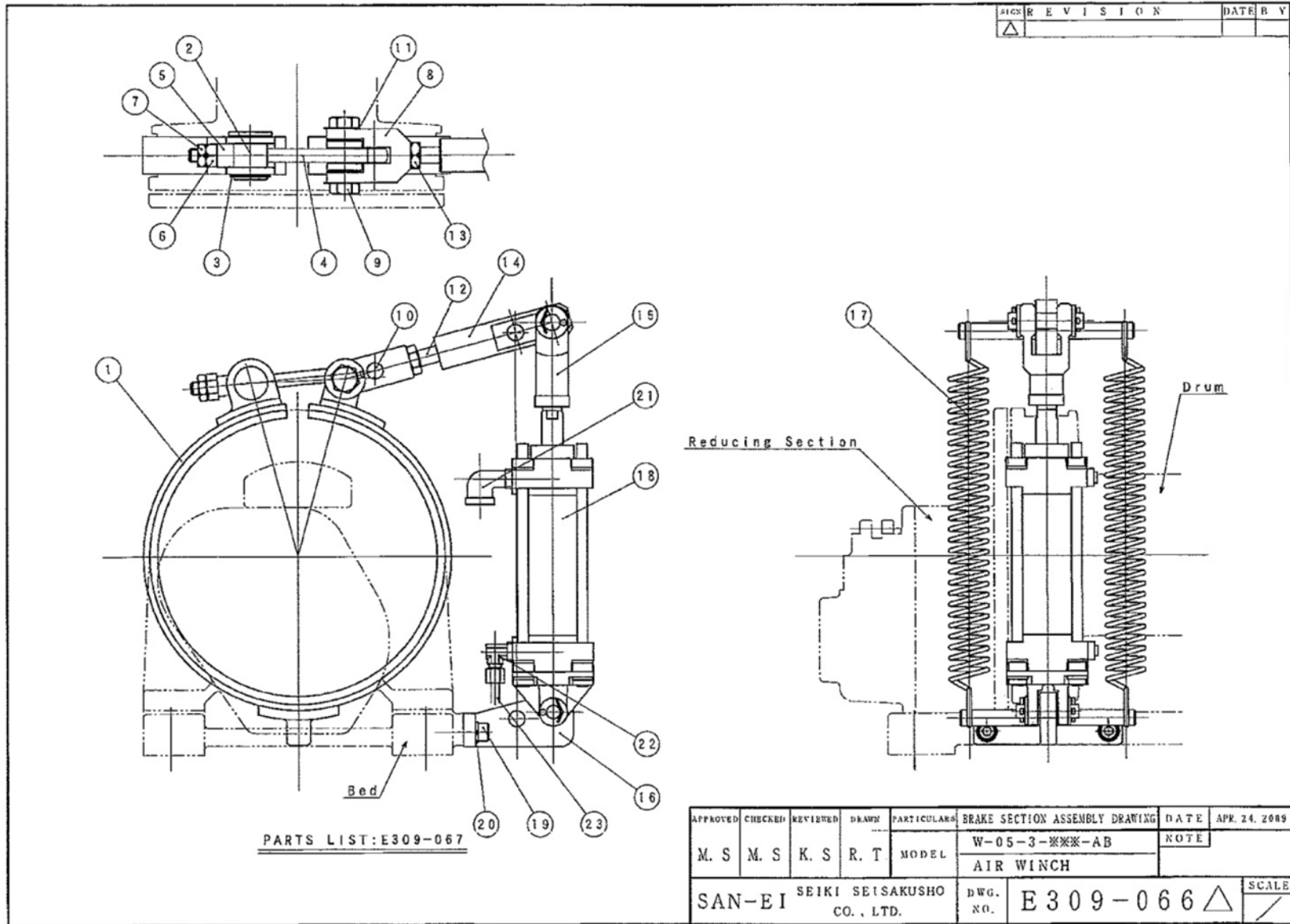
ASSEMBLY DRAWING: E302-111



MICHIGAN PNEUMATIC TOOL, INC.

MP-W05AA3SAAB

1100 lb. Short Drum Winch w/ Auto Brake





MICHIGAN PNEUMATIC TOOL, INC.

MP-W05AA3SAAB

1100 lb. Short Drum Winch w/ Auto Brake

REV	REVISION	DATE	BY
△			

No.	PART NO.	PARTS NAME	QTY	REMARKS	No.	PART NO.	PARTS NAME	QTY	REMARKS
1	E302-1051	Brake Assembly	1	Set	19	E302-11135	Hex. Bolt	2	M8x25
2	E302-1052	Brake Pin	1		20	E397-27022	Spring Washer	2	8
3	E302-10512	Retaining Ring	1	S25	21	65-161	Street Elbow	1	1/4B
4	E302-1053	Adjuster Bolt	1		22	E309-06622	Copper Tube Joint	2	B-6-PT1/4
5	E302-1054	Distance Piece	1		23	E309-06623	Copper Tube	0.5m	φ6
6	N1-10	Hex. Nut	1	M10					
7	N1-10	Hex. Nut	1	M10-3					
8	E302-1057	Brake Lever Block	1						
9	E302-1058	Lever Pin	2						
10	E302-10510	Parallel Pin	1	φ12x40 m6					
11	E302-10511	Lock Washer	2	12					
12	E309-06612	Stud Bolt	1						
13	E397-27442	Hex. Nut	1	M12-3					
14	E309-06614	Brake Lever	1						
15	E309-06615	Cylinder Rod Joint	1	Y-04C					
16	E309-06616	Cylinder Bracket	1						
17	E309-06617	Brake Spring	2						
18	E309-06618	Air Cylinder	1	CA1DFN40-75N					

*Not pictured

Model number with guard: **MP-W05AA3SAABG**
Guard Part Number: **E302-104G**

Model number with guard & pendant: **MP-W05AA3SPABG**
Guard Part Number: **E302-104G**
Pendant Part Number: **E302-142PC**

Model number with pendant: **MP-W05AA3SPAB**
Pendant Part Number: **E302-142PC**

ASSEMBLY DRAWING: E309-066

APPROVED	CHECKED	REVISED	DRAWN	PARTICULARS	BRAKE SECTION PARTS LIST	DATE	APR. 24 2009
M. S.	M. S.	K. S.	R. T.	MODEL	W-05-3- SAAB -AB	NOTE	
					AIR WINCH		
SAN-EI SEIKI SEISAKUSHO CO., LTD.					DWG. NO.	E309-067	SCALE