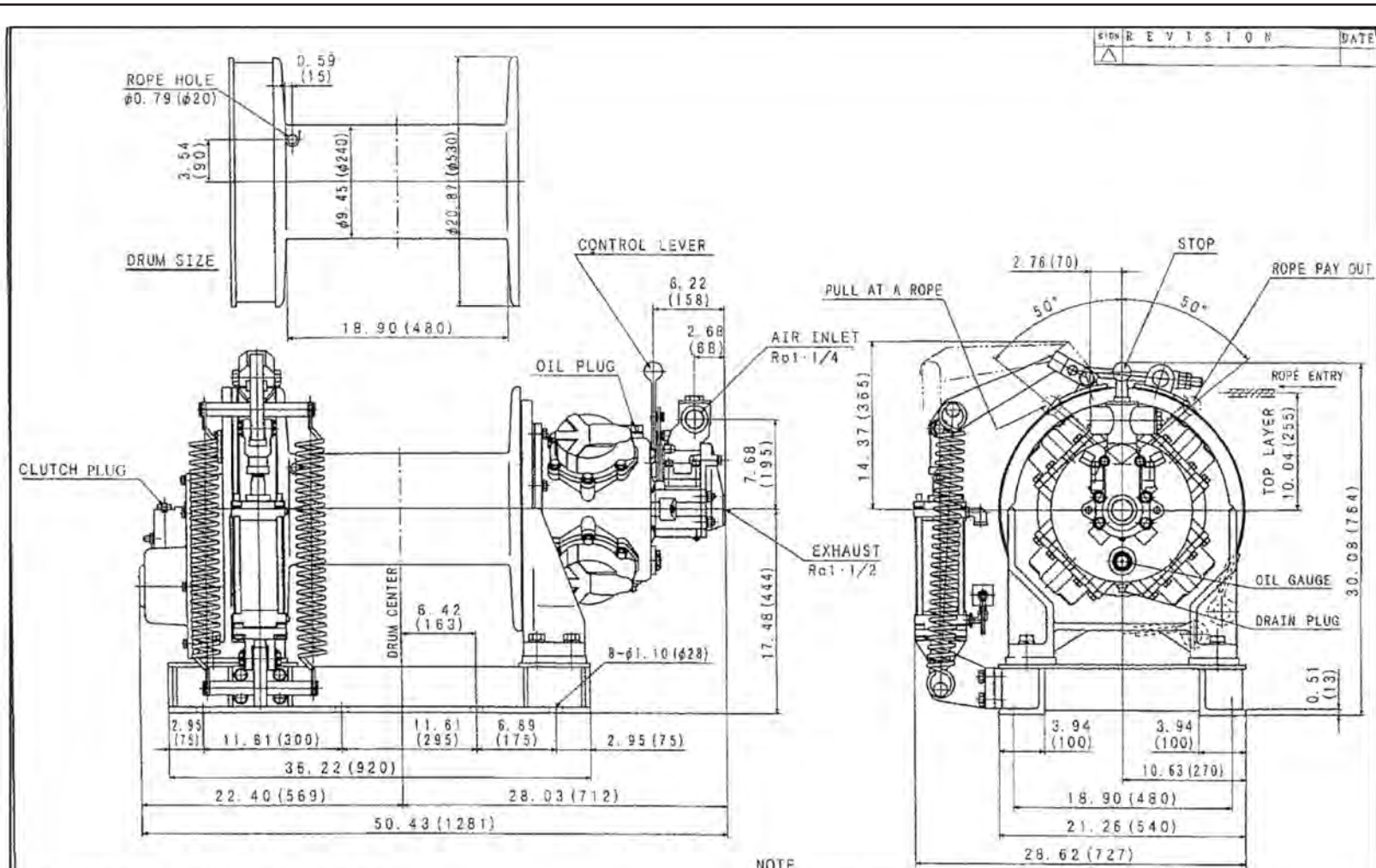




MICHIGAN PNEUMATIC TOOL, INC.

MP-W3036LAAB 6600 lb. Long Drum Winch w/ Auto Brake



NO.	REVISION	DATE

SPECIFICATIONS (at HALF DRUM)

AIR PRESSURE psi (MPa)	MOTOR POWER hp (kW)	ROPE FULL lb (kN)	ROPE SPEED fpm (m/min)	AIR CONSUMPTION cfm (Nm ³ /min)	ROPE CAPACITY dia x ft (m)	WEIGHT lb (kg)
90 (0.62)	16 (12)	6600 (30)	62 (19)	318 (9.0)	5/8 x 1050 (320)	ABOUT 1159 (527)

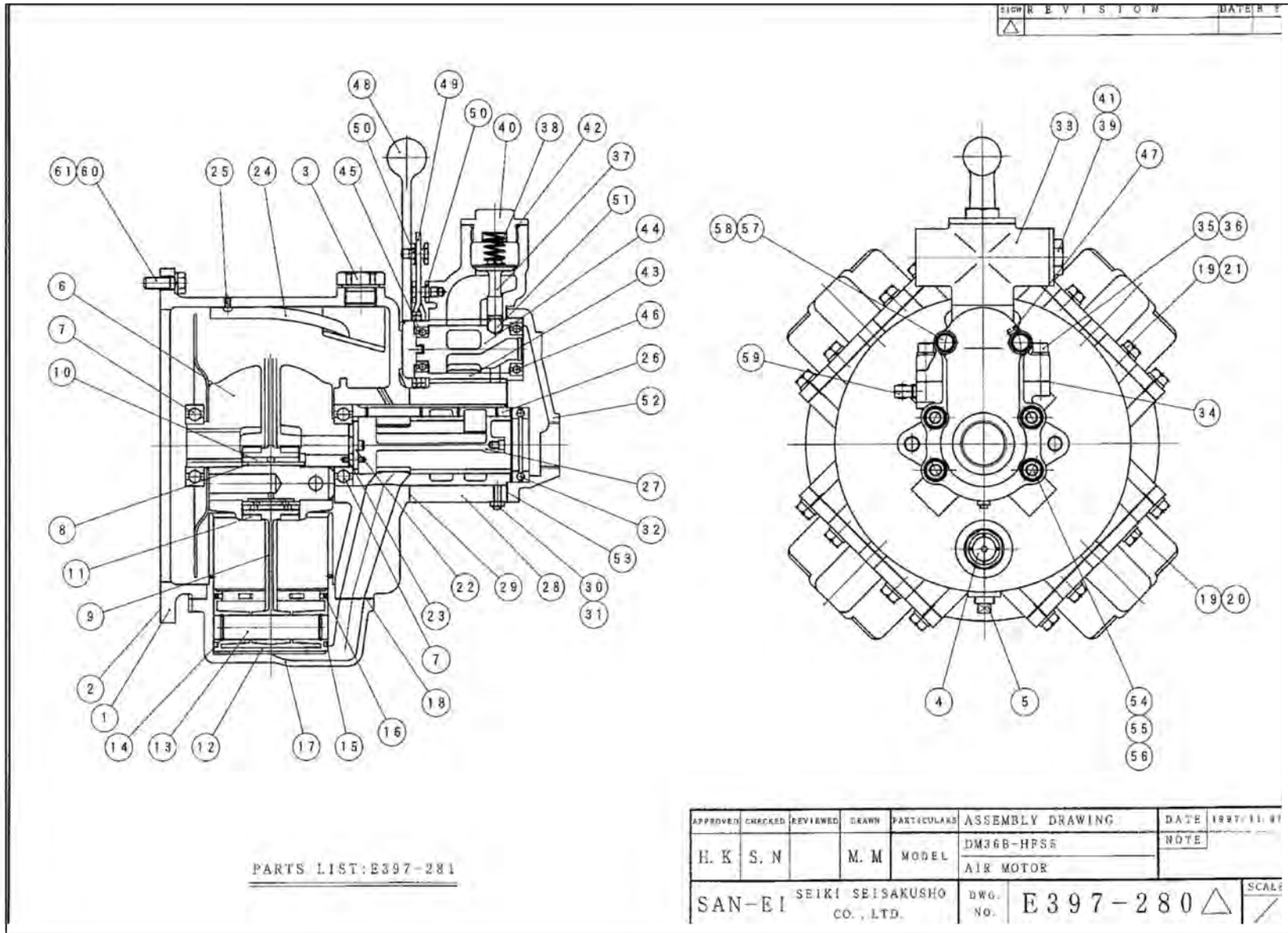
NOTE
DIMENSIONS ARE INCHES, BRACKETS () METRIC mm.

APPROVED	CHECKED	REVIEWED	DRAWN	PARTICULARS	OUTLINE DRAWING	DATE
<i>King</i>	<i>S.W.</i>		<i>King</i>	MODEL	W-30-36-LA-AB	FEB. 13.
					AIR WINCH	NOTE 297-109
SAN-EI SEIKI SEISAKUSHO CO., LTD.					DWG. NO.	E398-008



MICHIGAN PNEUMATIC TOOL, INC.

MP-W3036LAAB 6600 lb. Long Drum Winch w/ Auto Brake





MICHIGAN PNEUMATIC TOOL, INC.

MP-W3036LAAB 6600 lb. Long Drum Winch w/ Auto Brake

REV	REVISION	DATE	BY
△	Revision		

No.	PART NO.	PARTS NAME	Q'TY	REMARKS	No.	PART NO.	PARTS NAME	Q'TY	REMARKS
1	E397-2801	Crank Case	1		35	E397-28035	Hex. Socket Cap Screw	4	M10x45
2	E397-2802	Crank Case Packing	1		36	SW1-10	Spring Washer	4	10
3	E397-2803	Oil Plug	1		37	E397-28037	Poppet Valve	1	
4	E397-2804	Oil Gauge	1		38	E397-28038	Poppet Valve Spring	1	
5	E397-2805	Plug	1	1/2B	39	E397-28039	1-1/4 Plug	1	
6	E397-2806	Crank Complete	1Set		40	E397-28040	1-1/2 Plug	1	
7	B-6209	Ball Bearing	2	6209	41	OR-P38	O Ring	1	P38
8	E397-2808	Shaft Sleeve	1		42	OR-P44	O Ring	1	P44
9	E397-2809	Connecting Rod	4		43	E397-28043	Control Valve Sleeve	1	
10	E397-28010	Rod Bearing	1		44	E397-28044	Control Valve	1	
11	E397-28011	Rod Ring	2		45	B-6005	Ball Bearing	1	6005
12	E397-28012	Piston	4		46	B-6006	Ball Bearing	1	6006
13	E397-28013	Piston Pin	4		47	E397-28047	Hex. Socket Set Screw	1	M6x12
14	E397-28014	Piston Circle Clip	8	△	48	E397-28048	Control Lever	1	
15	E397-28015	Piston Ring	4		49	E397-28049	Lever Spring	1	
16	E397-28016	Oil Ring	4		50	E397-28050	Spring Support	2	
17	E397-28017	Cylinder	4		51	SB-0475	Ball	1	φ15
18	E397-28018	Cylinder Packing	4		52	E397-28052	Valve Cover	1	
19	E397-27418	Hex. Bolt	24	M12x30	53	E397-28053	Valve Cover Packing	1	
20	E397-28020	Cylinder Bolt Washer	12		54	E397-28054	Valve Body Bolt	4	
21	SW2-12	Spring Washer	12	12	55	E397-28055	Hex. Nut	4	M12
22	E397-28022	Valve Coupling	1		56	SW2-12	Spring Washer	4	12
23	SNP-420	Spring Pin	1	φ4x20	57	E397-28057	Hex. Bolt	2	M10x50
24	E397-28024	Oil Guide	1		58	SW2-10	Spring Washer	2	10
25	E397-28025	Cross Recessed Head Screw	2	M6x20	59	E397-28059	Copper Tube Joint	1	B-8-PT1/4
26	E397-28026	Valve Sleeve	1		60	E397-27450	Hex. Bolt	8	M12x35
27	E397-28027	Rotary Valve	1		61	SW2-12	Spring Washer	8	12
28	E397-28028	Valve Body	1						
29	E397-28029	Valve Body Packing	1						
30	E397-28030	Hex. Socket Set Screw	1	M8x25					
31	E397-28031	Hex. Nut	1	M8-3					
32	E397-28032	Thrust Bearing	1	2911					
33	E397-28033	Control Valve Body	1						
34	E397-28034	Control Valve Body Packing	1						

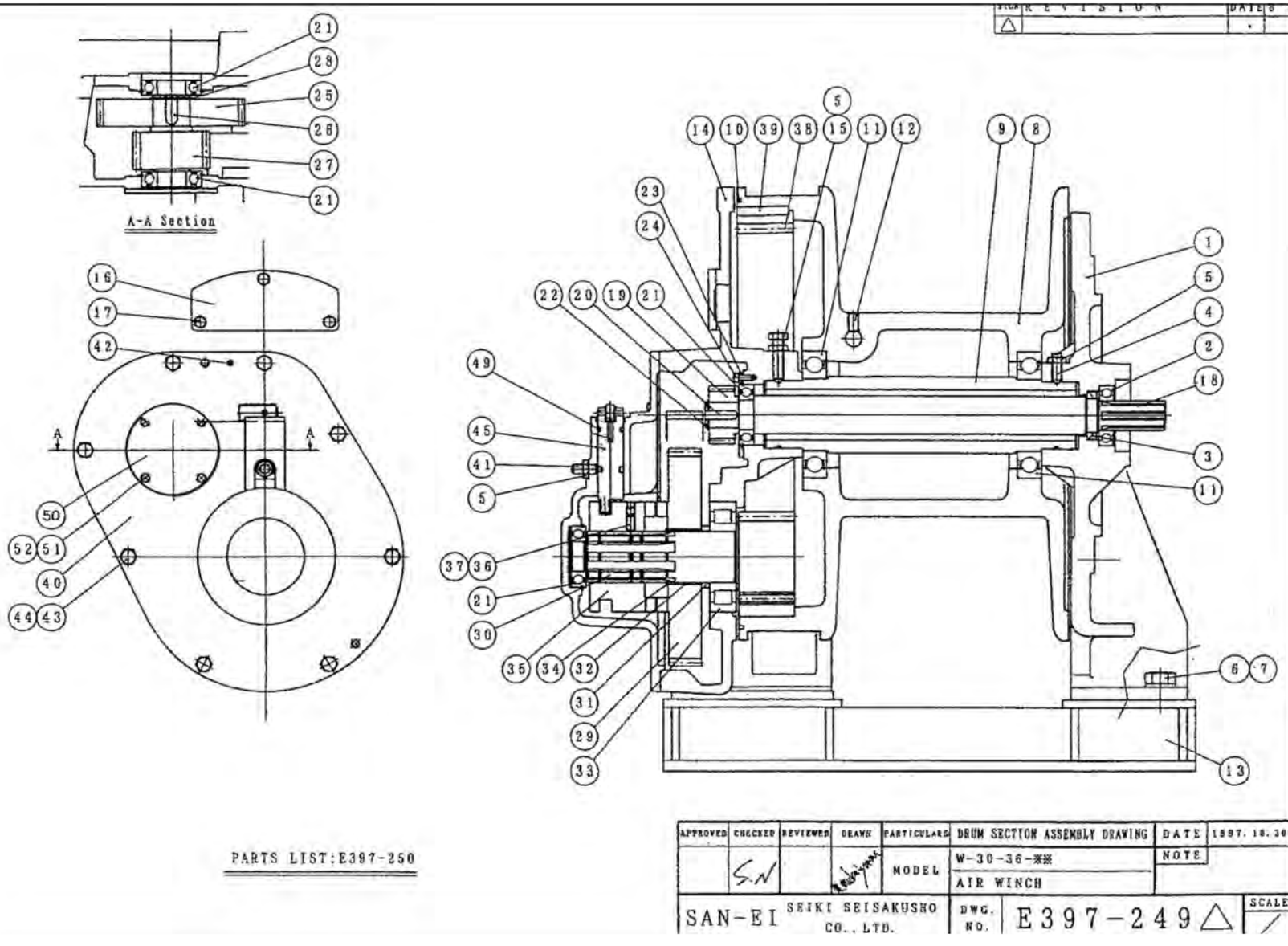
ASSEMBLY DRAWING: E397-280

APPROVED	CHECKED	REVIEWED	DRAWN	PARTICULARS	PARTS LIST	DATE	1997. 11. 97
H. K	S. N		M. M	MODEL	DM36B-HFSS	NOTE	
					AIR MOTOR		
SAN-EI SEIKI SEISAKUSHO CO., LTD.					DWG. NO.	E 397-281	SCALE



MICHIGAN PNEUMATIC TOOL, INC.

MP-W3036LAAB 6600 lb. Long Drum Winch w/ Auto Brake





MICHIGAN PNEUMATIC TOOL, INC.

MP-W3036LAAB 6600 lb. Long Drum Winch w/ Auto Brake

SIGNATURE DIVISION DATE
 Correction 12/23/11

No.	PART NO.	PARTS NAME	QTY	REMARKS	No.	PART NO.	PARTS NAME	QTY	REMARKS
1	E397-2491	Crank Case Cover	1		3 4	E397-25333	Retaining Ring	1	S60
2	B-6207ZZ	Ball Bearing	1	6207	3 5	E397-24935	Clutch	1	
3	E397-2493	Oil Seal	1	SC40588	3 6	E397-24533	Plunger	1	PBF-10-KS
4	E397-2534	Hex.Socket Set Screw	1	M12x40	3 7	E397-24534	Hex.Socket Set Screw	1	M10x10
5	E397-27442	Hex. Nut	3	M12-3	3 8	E397-24938	Internal Gear	1	
6	E397-2456	High Grade Hex. Bolt	8	M20x60 (12. 9)	3 9	E397-25338	Parallel Pin	2	φ10x60
7	E397-2457	Spring Washer	8	20	4 0	E397-24940	Gear Case Cover	1	
8	E397-2498L	Drum	1		4 1	E397-24538	Plunger	1	SP12-1
9	E397-2499L	Drum Shaft	1		4 2	SNP-628	Spring Pin	1	φ6x28
10	E397-24910	Packing	1		4 3	E397-24943	Hex. Bolt	8	M10x30 △
11	E397-24911	Ball Bearing	2	6217ZZ	4 4	SW2-10	Spring Washer	8	10
12	E397-24912	Hex.Socket Set Screw	1	M12x20	4 5	E397-24542CEP	Clutch PLUG	1	
13	E397-24913L	Bed	1		4 6				
14	E397-24914	Gear Case	1		4 7				
15	E397-24915	Drum Shaft Set Bolt	1		4 8				
16	E397-24916	Gear Case Plate	1		4 9	OR-P24	O-Ring	1	P24
17	E302-11135	Hex. Bolt	3	M8x25	5 0	E397-24950	Cover	1	
18	E397-24918L	Motor Shaft	1		5 1	E397-27049	Hex. Bolt	4	M6x20
19	E397-24919	First Pinion	1		5 2	SW2-6	Spring Washer	4	6
20	E397-24920	Key	1	10x8x33					
21	E397-24520	Ball Bearing	4	6207ZZNR					
22	SR-S30	Retaining Ring	1	S30					
23	E397-24923	Bearing Support	1						
24	CS-616	Hex.Socket Cap Screw	3	M6x16					
25	E397-24925	First Gear	1						
26	E397-24926	Key	2	14x9x30					
27	E397-24927	Second Pinion	1						
28	E397-2555	Retaining Ring	1	S45					
29	E397-24929	Second Gear	1						
30	E397-24930	Third Pinion	1						
31	E397-24931	Collar	1						
32	E397-24932	Gear Bushing	1	R-ML6040					
33	E397-24933	Roller Bearing	1	NJ312					

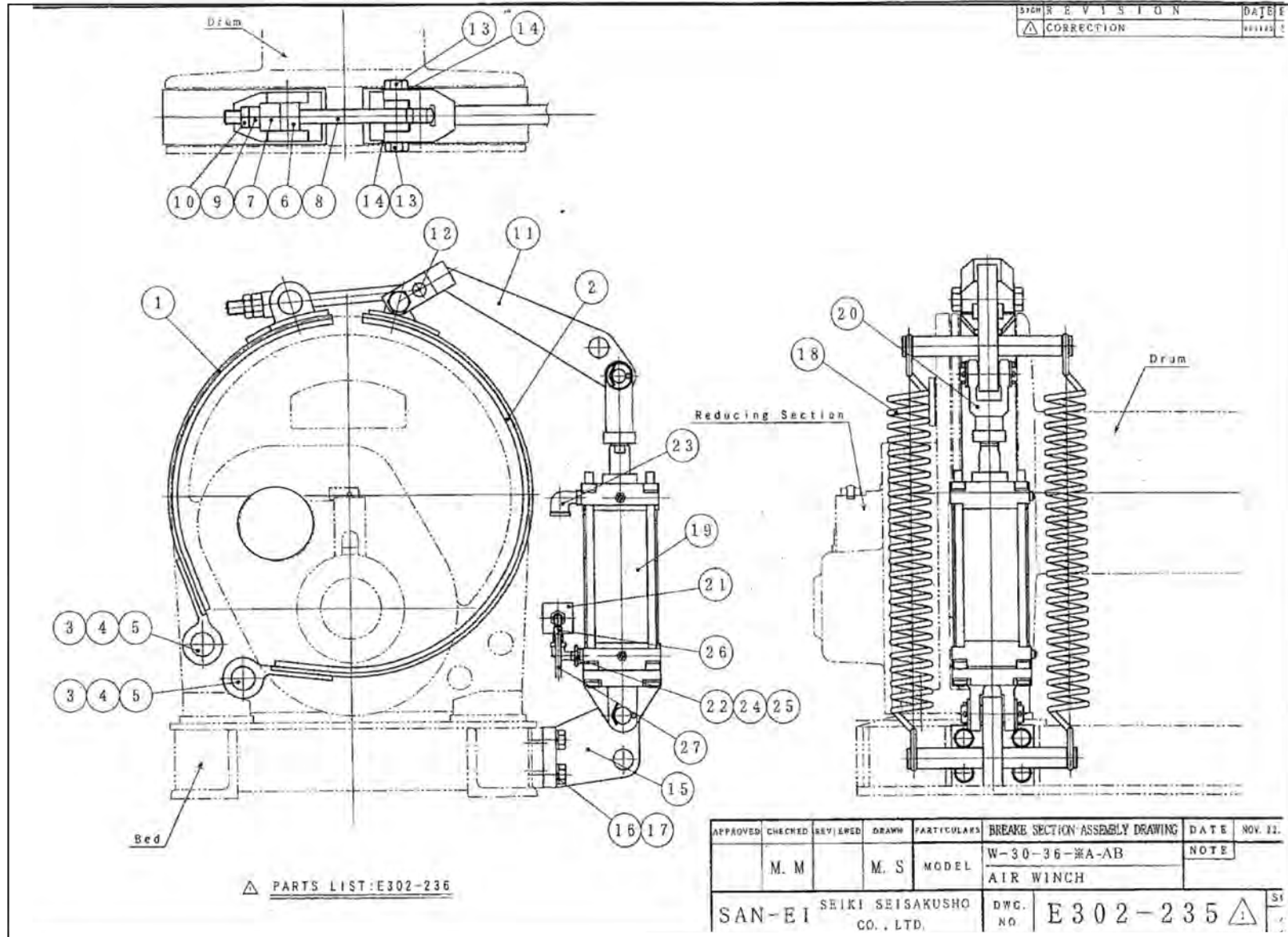
ASSEMBLY DRAWING: E397-249

APPROVED	CHECKED	REVIEWED	DRAWN	PARTICULARS	DRUM SECTION PARTS LIST	DATE	1997. 10. 20
	S.N			MODEL	W-30-36-KK	NOTE	
					AIR WINCH		
SAN-EI SEIKI SEISAKUSHO CO., LTD.					DWG. NO.	E397-250	SCALE



MICHIGAN PNEUMATIC TOOL, INC.

MP-W3036LAAB 6600 lb. Long Drum Winch w/ Auto Brake





MICHIGAN PNEUMATIC TOOL, INC.

MP-W3036LAAB 6600 lb. Long Drum Winch w/ Auto Brake

SIGN	REVISION	DATE
△	CORRECTION	REVISED

No.	PART NO.	PARTS NAME	QTY	REMARKS	No.	PART NO.	PARTS NAME	QTY	REMARKS
1	E397-2581	Brake Assembly (A)	1	Set	16	E302-23516	Hex. Bolt	4	M16x45
2	E397-2582	Brake Assembly (B)	1	Set	17	E302-1117	Spring Washer	4	16
3	E397-2583	Brake Connection Pin	1		18	E302-23518	Brake Spring	2	
4	E397-25815	Connection Collar	1		19	E302-23519	Air Cylinder	1	CA1DFN100-150N
5	E397-25322	Retaining Ring	1	S35	20	E302-23520	Cylinder Rod Joint	1	Y-10C
6	E397-2585	Brake Pin	1		21	E397-25522	Quick Exhaust Valve	1	AQ2000-02
7	E397-2586	Distance Piece	1		22	65-161	Street Elbow	1	1/4B
8	E397-2587	Adjuster Bolt	1		23	5502-8-8	Street Elbow	1	1/2B
9	E397-2588	Hex. Nut	1	M20	24	PF20984	Bushing	1	1/2x1/4B
10	E397-2589	Hex. Nut	1	M20-3	25	H0404	Nipple	1	1/4B
11	E302-23511	Brake Lever Assembly	1	Set	26	E397-28059	Copper Tube Joint	1	B-8-PT1/4
12	E397-25811	Parallel Pin	1	φ20x75	27	E397-25528	Copper Tube	2	m φ8
13	E397-25812	Lever Pin	2						
14	E397-25813	Lock Washer	2	20					
15	E302-23515	Cylinder Bracket	1						

*Not pictured

Model number with guard: **MP-W3036LAABG**
Guard Part Number: **E398-007G**

Model number with guard & pendant: **MP-W3036LPABG**
Guard Part Number: **E398-007G**
Pendant Part Number: **E310-237PC**

Model number with pendant: **MP-W3036LPAB**
Pendant Part Number: **E310-237PC**

ASSEMBLY DRAWING: E302-235 △

APPROVED	CHECKED	REVIEWED	DRAWN	PARTICULARS	BRAKE SECTION PARTS LIST	DATE	NOV. 23
	M. M		M. S	MODEL	W-30-36-BA-AB	NOTE	
					AIR WINCH		
SAN-EI SEIKI SEISAKUSHO CO., LTD.				DWG. NO.	E302-236 △	SC.	