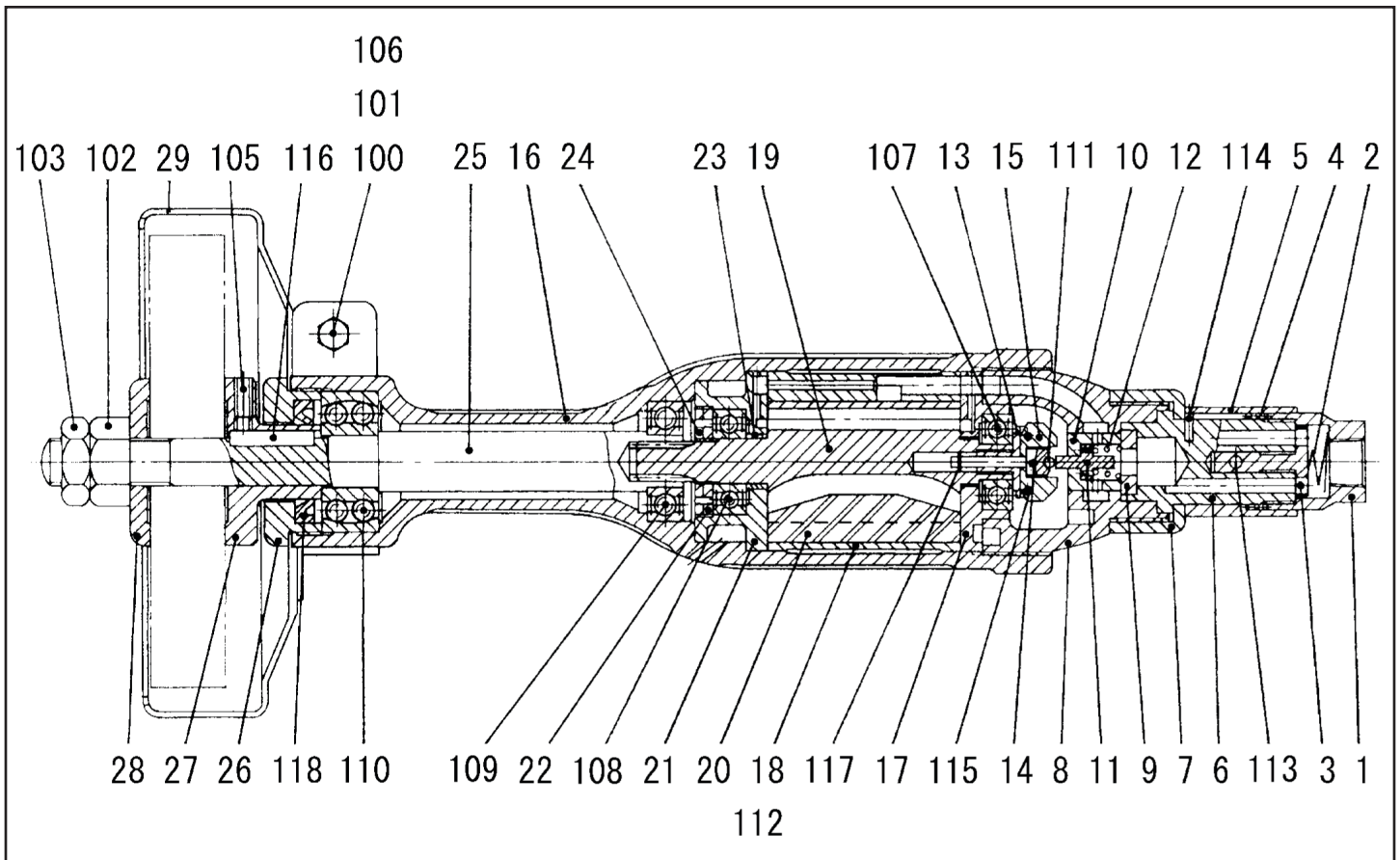


# NHG-150



Index	Part No.	Description	Qty.
1	15008100	Inlet Bushing	1
2	15007640	Throttle Spring	1
3	15007770	Throttle Valve	1
4	15007660	Push Spring	1
5	15005990	Grip	1
6	15006000	Throttle Arbor	1
7	15006010	Arbor Nut	1
8	15004240	Handle	1
9	15005970	Governor Washer	1
10	15005950	Governor Bush	1
11	15005920	Governor Valve	1
12	15004230	Governor Spring	1
13	15007700	Governor Body	1
14	15005960	Governor Spindle	1
15	15007710	Governor Weight	2
16	15004320	Rotor Case	1
17	15006120	Top Plate	1
18	15004280	Cylinder	1
19	15004310	Rotor	1
20	15006130	Vane	5
21	15004290	Bottom Plate	1
22	15004300	Plate Nut	1
23	15004330	Rotor Bush	1
24	15004340	Rotor Nut	1

Index	Part No.	Description	Qty.
25	15004360	Stone Spindle	1
26	15004350	Spindle Nut	1
27	15004250	Stone Flange	1
28	15004260	Stone Washer	1
29	15004270	Stone Cover	1
100	72206018	Hex Bolt	1
101	76111206	Hex Nut	1
102	28100385	Hex Nut	1
103	28100393	Hex Nut	1
105	28100467	Set Screw	1
106	76310206	Washer	2
107	28201088	Ball Bearing	1
108	28201089	Ball Bearing	1
109	28201090	Ball Bearing	1
110	28204113	Ball Bearing	1
111	25502120	Steel Ball	1
112	28206059	Pin	2
113	28206062	Pin	1
114	28207052	Roller Pin	1
115	28208030	Spring Pin	2
116	28209032	Key	1
117	25307780	Retaining Ring	1
118	28302073	Oil Seal	1