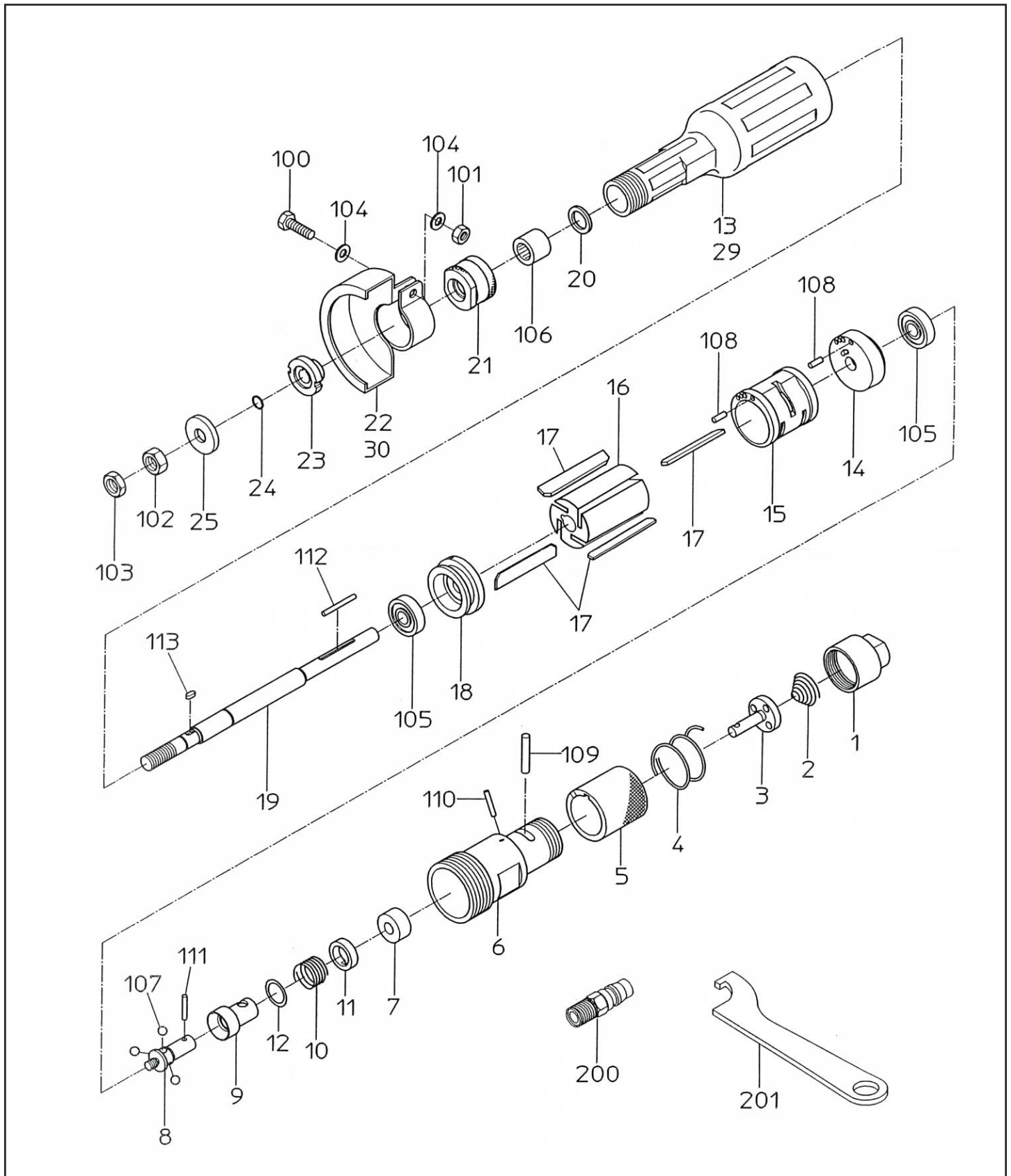


NPK[®] NIPPON PNEUMATIC MFG.CO.,LTD
NHG-65D 2-1/2" Straight Grinders



NPK[®] NIPPON PNEUMATIC MFG.CO.,LTD

NHG-65D 2-1/2" Straight Grinders

Index	Part No.	Description	Qty.
1	15006960	Inlet Bushing	1
2	15007640	Throttle Spring	1
3	15007770	Throttle Valve	1
4	15007660	Push Spring	1
5	15005990	Grip	1
6	15003130	Handle	1
7	15003110	Governor Bushing	1
8	15003100	Governor Body	1
9	15003090	Governor Valve	1
10	15003080	Governor Spring	1
11	15003120	Governor Washer	1
12	15003280	Thin Washer	1
13	15003220	Rotor Case	1
14	15003180	Top Plate	1
15	15003170	Cylinder	1
16	15003210	Rotor	1
17	15016110	Vane	4
18	15003200	Bottom Plate	1
19	15003250	Stone Spindle	1
20	15003260	Bearing Washer	1
21	15003240	Spindle Nut	1
22	15003160	Stone Cover	1
23	15003140	Stone Flange	1
24	15003270	Stopper Ring	1
25	15003150	Stone Washer	1
29	18400485	Name Plate	1
30	18400073	Name Plate	1
100	72206018	Hex Bolt	1

Index	Part No.	Description	Qty.
101	76111206	Nut	1
102	28100380	Nut	1
103	28100387	Nut	1
104	76310206	Washer	2
105	28201072	Ball Bearing	2
106	28203074	Needle Bearing	1
107	28205026	Steel Ball	3
108	28206036	Pin	2
109	28206062	Pin	1
110	28207052	Roller Pin	1
111	28209075	Roller Pin	1
112	28207067	Roller Pin	1
113	2209010	Key	1
200	24901010	Coupler Plug	1
201	24999125	Turning Spanner	1
Complete List			
	15015226	Governor Complete	
	8,9,10,11,12,107,111		
	15015227	Stone Cover Complete	
	22,30,100,101,104		
	15015229	Handle With Bushing	
	6,7		
	15015657	Bottom Plate With Bearing	
	18,105		
	15015674	Top Plate With Bearing	
	14,105		
	15015228	Handle Complete	
	1, 2, 3, 4, 5, 6, 7,109,110		