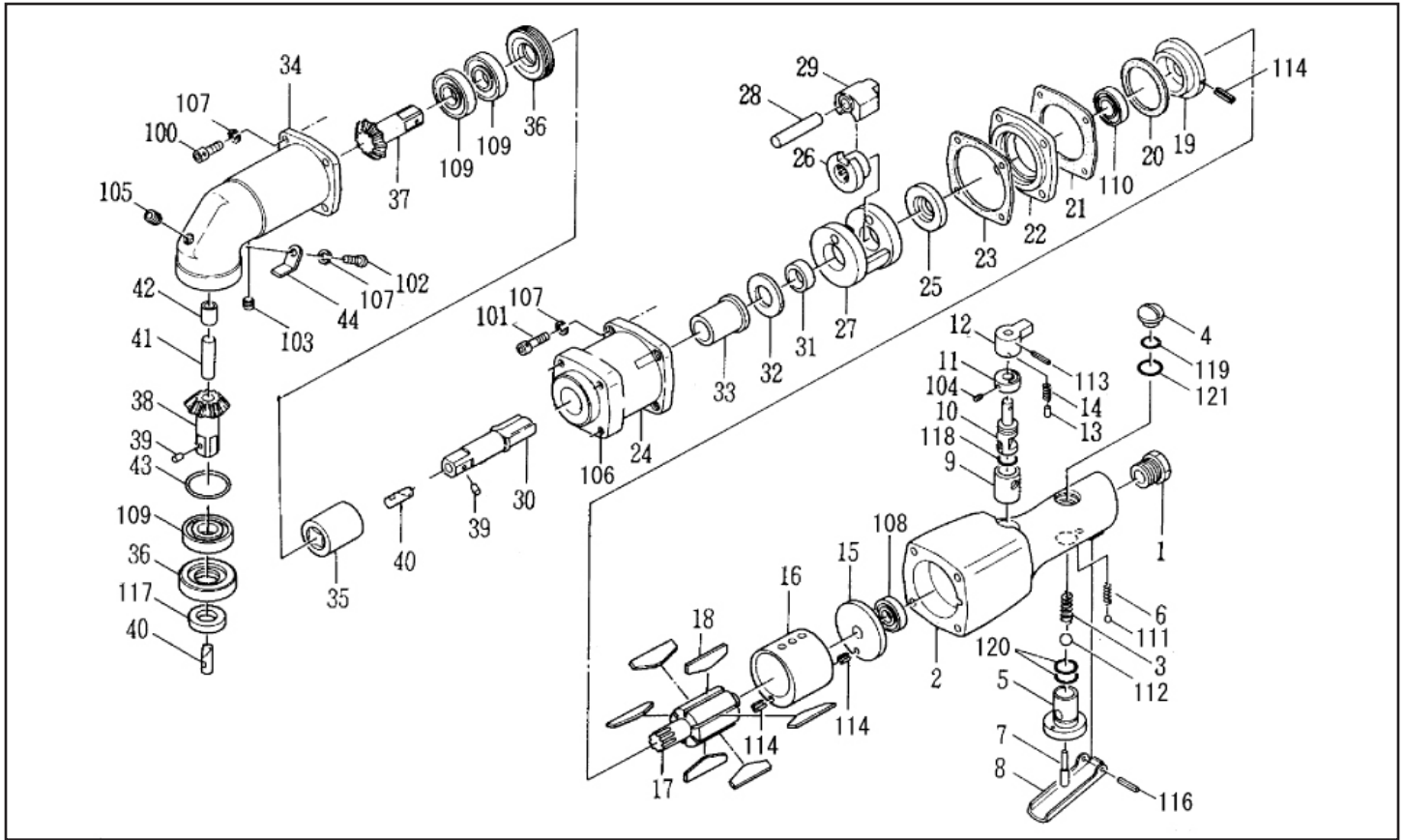


# NPK® NIPPON PNEUMATIC MFG.CO.,LTD

## NAW-1200



Item	Part No.	Part Name	Qty.
1	15204220	Inlet Bushing	1
2	15208730	Handle	1
3	15204050	Throttle Spring	1
4	15208720	Throttle Plug	1
5	15208700	Adjuster Valve	1
6	15205040	Spring	1
7	15208710	Throttle Pin	1
8	15000570	Lever	1
9	15208750	Reverse Bush	1
10	15208740	Reverse Valve	1
11	15208770	Reverse Washer	1
12	15208760	Reverse Lever	1
13	15303550	Reverse Pin	1
14	15303430	Spring	1
15	15208830	Top Plate	1
16	15204430	Cylinder	1
17	15204471	Rotor	1
18	15204450	Vane	6
19	15208840	Bottom Plate	1
20	15208800	Top Seal	1
21	15208820	Middle Seal	1
22	15208850	Flange	1
23	15208810	Bottom Seal	1
24	15208790	Hammer Case	1
25	15204320	Spacer	1
26	15204340	Screw Driver	1
27	15204390	Hammer Frame	1
28	15204380	Hammer Pin	1
29	15204370	Hammer	1
30	15204310	Anvil	1
31	15204300	Anvil Bush	1
32	15204330	Thrust Washer	1
33	15204360	Case Bush	1

Item	Part No.	Part Name	Qty.
34	15208870	Gear Case	1
35	17201970	Joint	1
36	17202000	Lock Nut	1
37	17201900	Accel Gear	1
38	17201940	Spindle Gear	1
39	15204480	Stopper Pin	1
40	15204490	Stopper	1
41	17201930	Gear Spindle	1
42	17201920	Gear Case Bush	1
43	17202010	Washer	2
44	17201990	Nut Stopper	1
100	74005014	Cap Screw	4
101	74005025	Cap Screw	4
102	25113160	C-R.Pan Head Screw	1
103	25107090	Set Screw	1
104	28100460	Set Screw	1
105	28100501	Hex.Socket Plug	1
106	28100122	Helical Coil	4
107	76420105	Spring Washer	9
108	28201023	Ball Bearing	1
109	28201025	Ball Bearing	3
110	28201080	Ball Bearing	1
111	25502120	Steel Ball	1
112	28205048	Rubber Ball	1
113	28208048	Spring Pin	1
114	28208056	Spring Pin	3
116	28208064	Spring Pin	1
117	28302004	Oil Seal	1
118	61200100	O-Ring	1
119	25401430	O-Ring	1
120	63200120	O-Ring	2
121	63200140	O-Ring	1