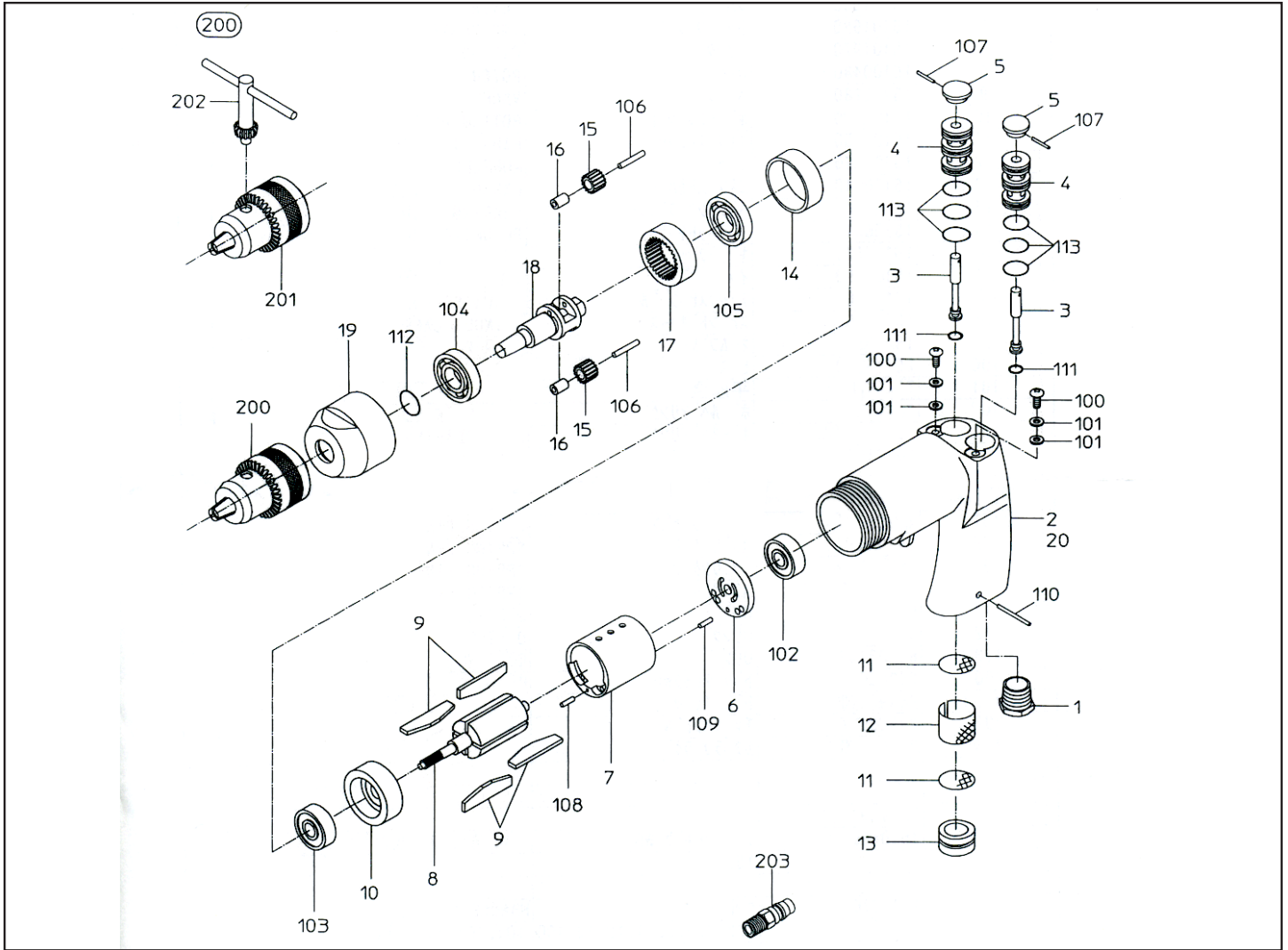


NPK[®] NIPPON PNEUMATIC MFG.CO.,LTD

NRT-8P



Index	Part No.	Description	Qty.
1	15100400	Inlet Bushing	1
2	15106708	Handle	1
3	15101940	Throttle Valve	2
4	15101930	Throttle Bush	2
5	15101960	Lever	2
6	15101980	Top Plate	1
7	15101970	Cylinder	1
8	15100480	Rotor	1
9	15200280	Vane	4
10	15101990	Bottom Plate	1
11	15100150	Exhaust Screen	2
12	15100160	Muffler	1
13	15100140	Exhaust Cover	1
14	15100540	Bearing Bush	1
15	15100310	Planet Gear	2
16	15100320	Gear Bush	2
17	15100490	Internal Gear	1
18	15102000	Chuck Spindle	1
19	15100500	Spindle Case	1

Index	Part No.	Description	Qty.
20	18400524	Name Plate	1
100	25113020	Screw	2
101	76323204	Plain Washer	4
102	28201069	Ball Bearing	1
103	28201072	Ball Bearing	1
104	28201081	Ball Bearing	1
105	28201088	Ball Bearing	1
106	28207079	Roller Pin	2
107	28208014	Spring Pin	2
108	28208024	Spring Pin	1
109	28208026	Spring Pin	1
110	28208030	Spring Pin	1
111	61200040	O-Ring	2
112	61200150	O-Ring	1
113	63200140	O-Ring	6
200	24999041	Drill Chuck	*
201	24999033	Drill Chuck	*
202	24999027	Chuck Handle	*
203	24901010	Coupler Plug	1