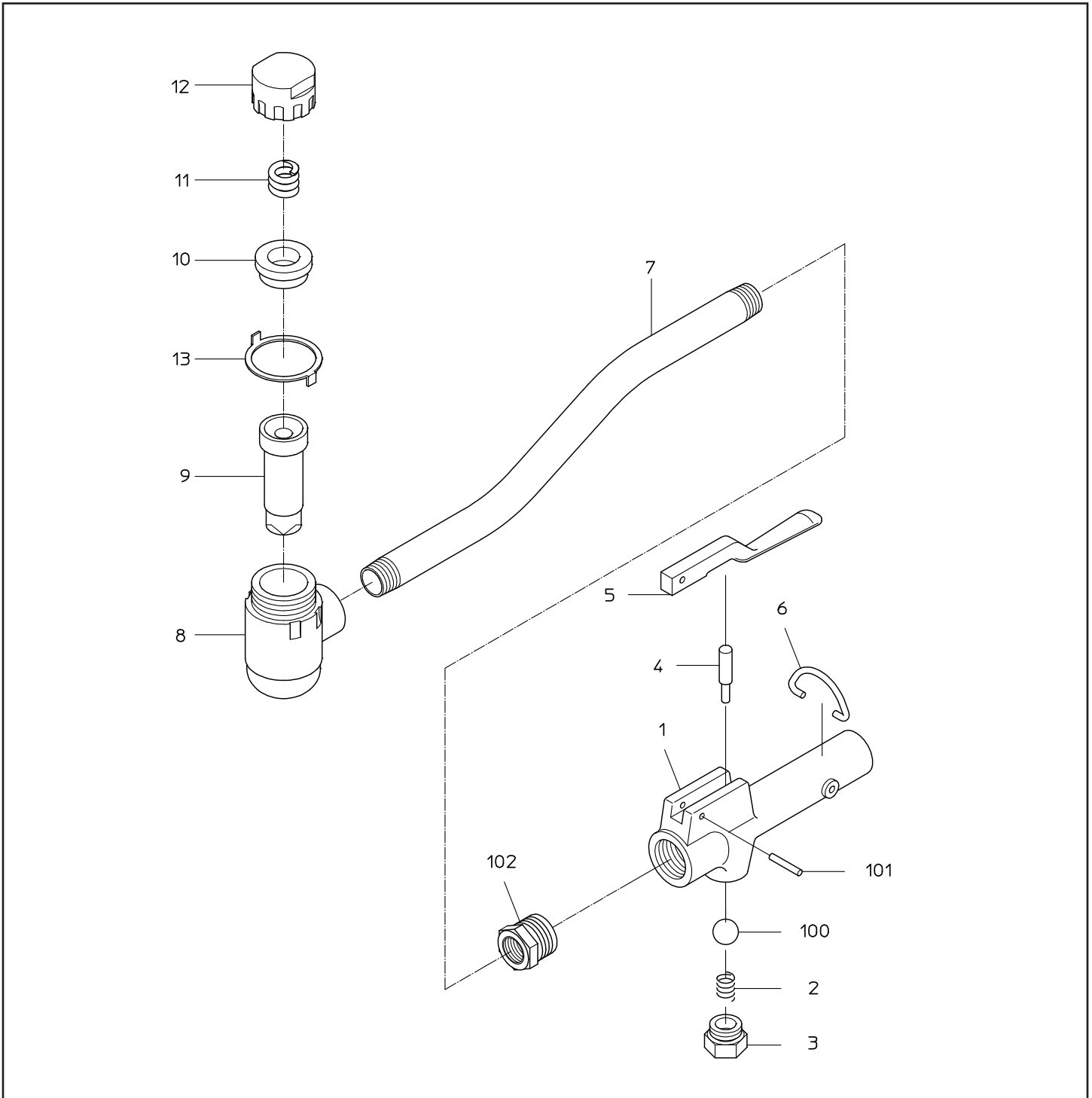




MICHIGAN PNEUMATIC TOOL, INC.

S-2L-C Scaling Hammer with Carbide Piston



Index	Part No.	Description	Qty.
1	17512111	Handle	1
2	17511980	Spring	1
3	17512100	Throttle Plug	1
4	17512090	Throttle Pin	1
5	17512141	Lever	1
6	17512150	Lever Stopper	1
7	17514875	Pipe	1
8	17510410	Cylinder	1

Index	Part No.	Description	Qty.
9	F22B00C550	Piston - Carbide	1
10	17510490	Cushion Sheat	1
11	17510400	Cushion Spring	1
12	17510420	Cylinder Cap	1
13	17510500	Stopper Washer	1
100	28205053	Rubber Ball	1
101	28208106	Spring Pin	1
102	28401144	Bushing	1